

DS-2TD2615-7'10

Thermal Bi-spectrum Network Bullet Camera



Hikvision DS-2TD2615-7/10 Thermal Bi-spectrum Network Bullet Camera is applied to perimeter defense and fire-prevention purposes in critical infrastructures such as: airport, railway, prison, power station, 4S stores, and so on. The pre-alarm system helps you discover unexpected events immediately and protects you from property loss.

Smart Function (Thermal Imaging)

- Leading image processing technology: Adaptive AGC, DDE, 3D DNR, NETD < 50mk (0.05°C/32.09°F)
- Powerful behavior analysis algorithm: Line crossing, Intrusion, Audio exception, Region Entrance & Exit
- Reliable temperature exception alarm function
- Advanced fire detection algorithm

Thermal Imaging Module Function

- 320*240 resolution, high sensitivity sensor, support contrast adjustment
- Support shutter adjustment in various modes
- 3D DNR, 15 palettes of color adjustable, image detail enhancement
- Support mirror image, digital zoom X2, X4 and local output
- 7mm and 10mm Lens are optional
- Support bi-spectrum image fusion, picture in picture preview, and image switching



Specifications

| Parameter | | Model | DS-2TD2615-7 | DS-2TD2615-10 |
|----------------|-------------------------|--|---------------|---------------|
| | | Thermal Bi-spectrum Network Bullet Camera | | |
| Thermal Module | Image sensor | Vanadium Oxide Uncooled Focal Plane Arrays | | |
| | Max. Resolution | 160 × 120 | | |
| | Pixel interval | 25μm | | |
| | Response waveband | 8μm to 14μm | | |
| | NETD | < 50mk(@25°C,F#=1.0) | | |
| | Lens (focal length) | 7 mm | 10 mm | |
| | MRAD | 3.57 mrad | 2.50 mrad | |
| | Field of View | 33.9° × 25.0° | 23.3° × 17.6° | |
| | Min. Focusing Distance | 0.8 m | 1.0 m | |
| | F number | 1.0 | | |
| Optical camera | Max. image resolution | 1920×1080 | | |
| | Image Sensor | 1/2.8" Progressive Scan CMOS | | |
| | Min. Illumination | Color: 0.002 Lux @(F1.5,AGC ON), B/W: 0.0002 Lux @(F1.5, AGC ON) | | |
| | Shutter Speed | 1s~1/100,000s | | |
| | Focal Length | 6mm | 8mm | |
| | Field of View | 52.8° × 30.0° | 40.0° × 22.4° | |
| | WDR | Digital WDR | | |
| | Day & Night | IR cut filter with auto switch | | |
| Image function | Image | Support bi-spectrum image fusion, picture in picture preview, and image switching | | |
| Smart function | VCA | Intrusion/Line crossing/Region entrance/ Region exiting, Max 8 rules | | |
| | Temperature range | -20°C ~ 150°C | | |
| | Temperature accuracy | ± 8°C | | |
| | Temperature measurement | Support 10 points, 10 regions and 1 line | | |
| | Fire detection | Max 10 fire points for live view | | |
| Infrared | IR Distance | Up to 30m | | |
| | IR Intensity | Automatically adjusted | | |
| Network | Main Stream | Visible Light: 50Hz:25fps(1920×1080), 25fps(1280×960), 25fps(1280×720) Visible Light: 60Hz:30fps(1920×1080), 30fps(1280×960), 30fps(1280×720) Thermal: 50fps(320×240) | | |
| | Sub stream | Visible Light: 50Hz:25fps (704 × 576), 25fps (352 × 288), 25fps (176 × 144) Visible Light: 60Hz:30fps (704 × 480), 30fps (352 × 240), 30fps (176 × 120) Thermal: 50fps (320 × 240) | | |
| | Video compression | H.264/MJPEG, H.264+ encoding with Baseline/Main/High Profile | | |
| | Audio compression | G.711u/G.711a/G.722.1/MP2L2/G.726/PCM | | |
| | Protocols | IPv4/IPv6,HTTP,HTTPS,802.1x,Qos,FTP,SMTP,UPnP,SNMP,DNS,DDNS,NTP,RTSP,RTCP,RTP,TCP,UDP,IGMP,ICMP,DHCP,PPPoE | | |
| | Simultaneous live view | Up to 20 | | |
| | User/Host level | Up to 32 users, 3 levels: Administrator, Operator, User | | |
| | Security measures | User authentication (ID and PW), MAC address binding, HTTPS encryption, IEEE 802.1x access control, IP address filtering | | |
| Integration | Alarm Input | 2-ch inputs (0-5vDC) | | |
| | Alarm Output | 2-ch relay outputs, alarm response actions configurable | | |
| | Alarm Action | SD recording/Relay output/Smart capture/FTP upload/Email linkage | | |
| | Audio Input | 1 3.5mm Mic in/Line in interface. Line input: 2-2.4V[p-p], output impedance:1KΩ±10% | | |
| | Audio Output | Linear Level; Impedance: 600Ω | | |
| | Reset | 1 Reset Button | | |
| | Ethernet | 1 RJ45 10M/100M Self-adaptive Ethernet interface | | |

| | | |
|----------------|---------------------------|---|
| | SD memory card | Built-in Micro SD card slot, support Micro SD/SDHC/SDXC card (up to 128G), support manual/alarm recording |
| | Analog Video Output | 1.0V [p-p]/75Ω, PAL/NTSC/BNC |
| | Application programming | Open-ended API, support ONVIF, PSIA, ISAPI, HIKVISION SDK and third-party management platform |
| | Client | iVMS-4200 |
| | Web Browser | IE7+, Chrome18+, Firefox5.0+, Safari5.02+ |
| General | Menu language | English |
| | Power | AC24V, DC12V, PoE+ |
| | Work Temperature/Humidity | -40 °C to 60 °C (-40 °F to 140 °F), 90% or less |
| | Protection Level | IP67 Standard TVS 6000V Lightning protection, surge protection, voltage transient protection |
| | Dimensions | 314mm×104mm×292.7mm (12.36" ×4.09" ×11.52") |
| | Weight | Approx. 1.55Kg(3.42lb) |

Wide Range Coverage for Different Specifications

Note: The table below is only for reference, the performance varies from model to model, and the specific data is based on 25 μm pixel space-between.

| Lens (focal length) | 7mm | 10mm | 15mm | 25mm | 35mm | 50mm | 75mm |
|---------------------------------|------|------|------|-------|-------|-------|-------|
| Detection range (Vehicles) | 429m | 613m | 920m | 1533m | 2147m | 3067m | 4600m |
| Detection range (Humans) | 140m | 200m | 300m | 500m | 700m | 1000m | 1500m |
| Recognition range (Vehicles) | 107m | 153m | 230m | 383m | 537m | 767m | 1150m |
| Recognition range (Humans) | 35m | 50m | 75m | 125m | 175m | 250m | 375m |
| Identification range (Vehicles) | 54m | 77m | 115m | 192m | 268m | 383m | 575m |
| Identification range (Humans) | 18m | 25m | 38m | 63m | 88m | 125m | 188m |

Smart functions Range Table

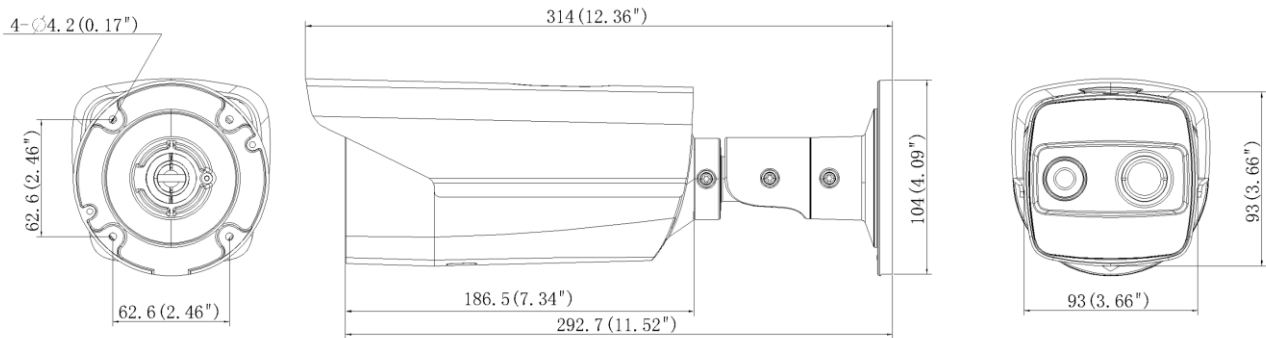
Note: The table below is only for reference, the performance varies from model to model, and the specific data is based on 25 μm pixel space-between.

| Lens (focal length) | 7mm | 10mm | 15mm | 25mm | 35mm | 50mm | 75mm |
|---|------|------|------|-------|-------|-------|-------|
| VCA range (humans) | 35m | 50m | 75m | 125m | 175m | 250m | 375m |
| VCA range (Vehicles) | 98m | 140m | 210m | 350m | 490m | 700m | 1050m |
| Temperature measurement (Object:2×2 m) | 112m | 160m | 240m | 400m | 560m | 800m | 1200m |
| Temperature measurement ((Object:1×1 m) | 56m | 80m | 120m | 200m | 280m | 400m | 600m |
| Fire Detection (Object:2×2 m) | 280m | 400m | 600m | 1000m | 1400m | 2000m | 3000m |
| Fire Detection (Object:1×1 m) | 140m | 200m | 300m | 500m | 700m | 1000m | 1500m |

Order Models

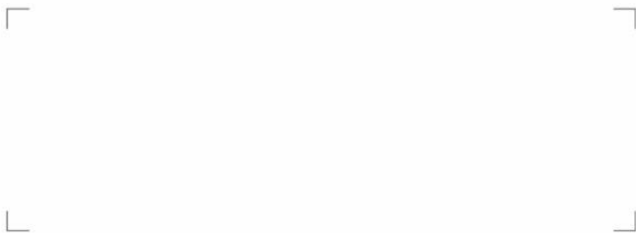
DS-2TD2615-7; DS-2TD2615-10;

Dimensions



Unit:
mm (inch)

Distributed by



HIKVISION®

Headquarters

No.555 Qianmo Road, Binjiang District,
Hangzhou 310051, China
T +86-571-8807-5998
overseasbusiness@hikvision.com

Hikvision USA
T +1-909-895-0400
sales.usa@hikvision.com

Hikvision Italy
T +39-0438-6902
info.it@hikvision.com

Hikvision Singapore
T +65-6684-4718
sg@hikvision.com

Hikvision Africa
T +27 (10) 0351172
sale.africa@hikvision.com

Hikvision Europe
T +31-23-55-42-770
info.eu@hikvision.com

Hikvision France
T +33(0)1-85-330-450
info.fr@hikvision.com

Hikvision Oceania
T +61-2-8599-4233
salesau@hikvision.com

Hikvision Hong Kong
T +852-2151-1761

Hikvision Middle East
T +971-4-8816086
salesme@hikvision.com

Hikvision Spain
T +34-91-737-16-55
info.es@hikvision.com

Hikvision Canada
T +1-909-895-0400
sales.usa@hikvision.com

Hikvision Russia
T +7-495-669-67-99
saleru@hikvision.com

Hikvision Poland
T +48-22-460-01-50
poland@hikvision.com

Hikvision Korea
T +82-31-731-8841
sales.korea@hikvision.com

Hikvision India
T +91-22-28469900
sales@pramahikvision.com

Hikvision UK
T +01628-902140
support.uk@hikvision.com

Hikvision Brazil
T +55 11 3318-0050
Latam.support@hikvision.com