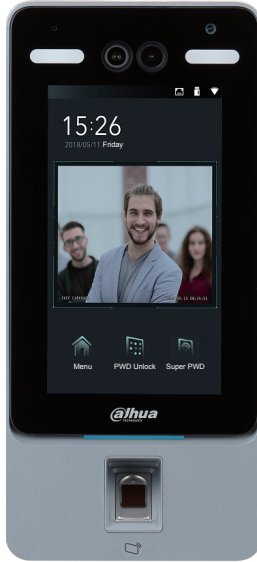


# DHI-ASI7214Y

## Face Recognition Access Control and Time Attendance Terminal



- 7 inch LCD, touchscreen, resolution 1024 (H) × 600 (V).
- Human face images, fingerprints, cards and passwords can be recorded to the face recognition access standalone.

### Technical Specification

#### System Parameter

User Interface	7 inch touchscreen
Communication Method	TCP/IP, Wi-Fi
Liquid Crystal Display	7 inch, 350 cd/m <sup>2</sup>
Screen Resolution	1024 (H) × 600 (V)
Lens	2 MP double lens
WDR	Support
Light Compensation	Adjustable white light

#### Port

RS-485 Port	1
Alarm Input	2
Alarm Output	2
Lock Control	1 set
Door Contact	1 set
Exit Button	1
Tamper Switch	1 set
Network Interface	1

- Support unlock through face, card (ID/IC card), password, and their combinations; and support unlock in certain periods.
- With face detection box; the largest face among faces that appear at the same time is recognized first; the maximum face size can be configured on the web.
- Face recognition distance is 0.3 m–2 m, human height range is 1.1 m–2.4 m.
- Face verification accuracy >99%; face comparison speed ≤0.5s per person; false recognition rate <0.1%.
- Profile faces can be recognized; face recognition angle can be adjusted, the range is 0°–90°.
- Supports 30,000 users, 30,000 cards, 30,000 passwords, and 50 administrators.
- Support liveness detection.
- Supports duress alarm, tamper alarm, intrusion alarm, door contact timeout alarm, and illegal card exceeding time alarm.
- Has six user levels: general users, patrol users, blacklist users, VIP users, guests, and disabled users.
- Attendance records can be uploaded to the management platform.

USB Port	1
Wiegand Protocol	26, 34, 66

#### Alarm Parameter

Tamper Alarm	Support
Duress Alarm	Support
Door Sensor Timeout Alarm	Support
Illegal intrusion	Support
Illegal Card Exceeding Time Alarm	Support

#### User Parameter

User Parameter	Support
Duress Card (user)	Support
Patrol Card (user)	Support
VIP Card (user)	Support
Guest Card (user)	Support
Card for the Disabled (user)	Support
Black and White List Setting	Support

Unlock Mode	Face recognition, password, fingerprint, card and their combinations
Card Reader Type	Model ASI7214Y: IC card Model ASI7214Y-D: ID card
Card Reading Distance	1 cm–5 cm (0.03 ft–0.16 ft)
Human Height	1.1 m–2.4 m (3.61 ft–7.87 ft)
Face Recognition Configuration	Support
Face Recognition Distance	0.3 m–2 m (0.98 ft–6.56 ft)
Face Recognition Accuracy Rate	>99%
Face Recognition Speed	≤0.5s/face
Face Image Quantity	5,000
Fingerprint Quantity	5,000
Duress Card	Support
Duress Password	Support
Advertisement Display	Advertisements can be displayed
Network Update	Online update
OSDP Protocol	Support
Period List	128
Holiday Period	128
External Card Reader	1 set Wiegand and 1 set RS-485
Real-Time Monitor	Support
Remote Verification	Support
Multiple Verification	Support
Anti-Passback	Support
First Card Unlock	Support
Alarm Linkage	Support
System Parameter Configuration	Support
Rated Power	12V DC
Rated Current	2A

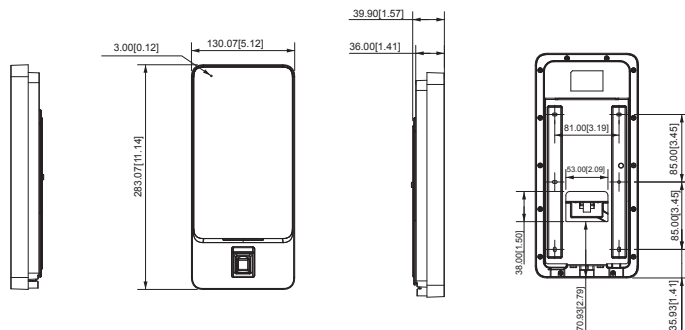
### Normal Parameter

Installation method	Hang-mounted
Dimensions	283 mm × 130 mm × 35 mm (11.14" × 5.12" × 1.38")
Working Temperature	-10°C to +55°C (+14°F to +131°F)
Working Humidity	5% RH–95% RH
Atmospheric Pressure	86 kPa–106 kPa
Power Consumption	15 W
Total Weight	1.5 kg (3.31 lb)
Environmental Requirement	Indoor

### Ordering Information

Type	Part Number	Description
Face IC Card	DHI-ASI7214Y	Face Recognition Access Control and Time Attendance Terminal
Face ID Card	DHI-ASI7214Y-D	Face Recognition Access Control and Time Attendance Terminal

### Dimensions(mm/inch)



### Application

